

HR BA **Tehnički list**

L068-20W-3CCT-BK

LED šinska svjetiljka
20 W | 3000 K - 4000 K - 6500 K

- Uređenje stambenih i poslovnih prostora
- Odabir boje svjetlosti pomoću prekidača
- Omogućuje fleksibilno pozicioniranje i usmjerenje svjetla



Osnovne informacije

| | |
|----------------------|------------------|
| • Model | L068-20W-3CCT-BK |
| • LED diode | COB |
| • Boja artikla | Crna |
| • IP stupanj zaštite | IP20 |
| • Materijal | Aluminij + PC |
| • Montaža | Montaža na šinu |

Električne specifikacije

| | |
|---------------|----------------------------|
| • Snaga | 20 W |
| • Napon | AC 85 - 265 V / 50 - 60 Hz |
| • Dimabilnost | Ne |

Osvjetljenje

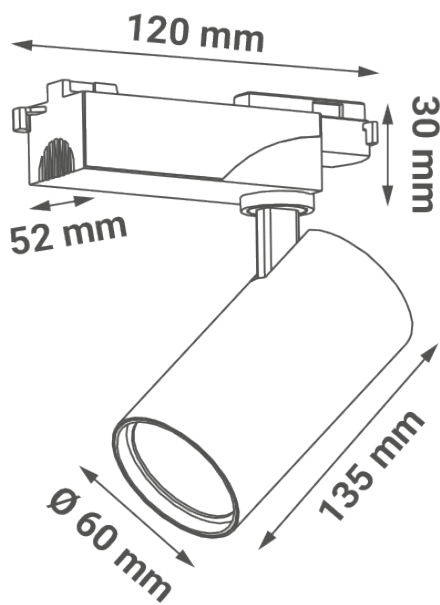
| | |
|-----------------------------|--|
| • FLUX | 1800 lm |
| • Svjetlosna učinkovitost | 90 lm / W |
| • Boja svjetlosti | Toplo bijela - neutralna - hladno bijela |
| • CCT | 3000 K - 4000 K - 6500 K |
| • Indeks prikaza boja (CRI) | ≥ 80 |
| • Kut svjetlosti | 25° |
| • Radni vijek | 30 000 radnih sati |
| • PF | ≥ 0,9 |
| • SCDM | ≤ 7 |

Logističke informacije

| | |
|-------------------------|-------------------|
| • Neto težina | |
| • Bruto težina | |
| • Dimenzije pakiranja | 142 x 65 x 142 mm |
| • Transportno pakiranje | 20 komada |

Dimenzije

- Dimenzije artikla $\varnothing 60 \times 135 \text{ mm}$
- Dimenzije nosača za ugradnju u šinu $120 \times 52 \times 30 \text{ mm}$



SI Podatkovni list izdelka

L068-20W-3CCT-BK

Svetlobna sled LED

20 W | 3000 K - 4000 K - 6500 K

- Ureditev stanovanjskih in poslovnih prostorov
- Izbira barve svetlobe s stikalom
- Omogoča prilagodljivo pozicioniranje in usmerjanje svetlobe



Osnovni podatki

| | |
|-----------------|------------------|
| • Model | L068-20W-3CCT-BK |
| • LED diode | COB |
| • Barva izdelka | Črna |
| • IP stopnja | IP20 |
| • Material | Aluminij + PC |
| • Namestitev | Tirna luč |

Električne specifikacije

| | |
|--------------|----------------------------|
| • Moč | 20 W |
| • Napetost | AC 85 - 265 V / 50 - 60 Hz |
| • Zatemnitev | Ne |

Osvetlitev

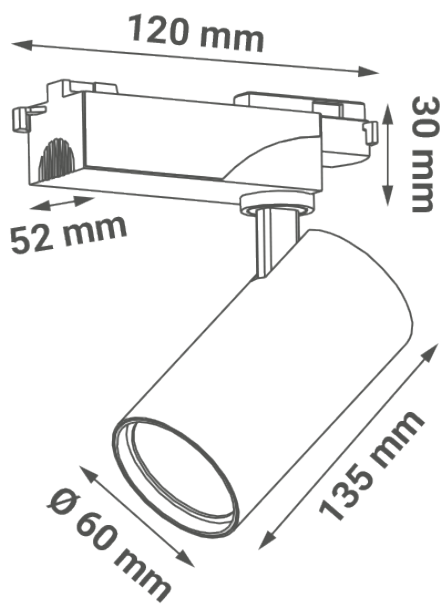
| | |
|------------------------------------|--------------------------------------|
| • FLUX | 1800 lm |
| • Svetlobna učinkovitost | 90 lm / W |
| • Barva svetlobe | Topla bela - nevtralna - hladna bela |
| • CCT | 3000 K - 4000 K - 6500 K |
| • Indeks barvne reprodukcije (CRI) | ≥ 80 |
| • Svetlobni kot | 25° |
| • Življenjska doba | 30 000 delovnih ur |
| • PF | $\geq 0,9$ |
| • SCDM | ≤ 7 |

Logistični podatki

| | |
|------------------------|-------------------|
| • Neto teža | |
| • Bruto teža | |
| • Dimenzije paketa | 142 x 65 x 142 mm |
| • Transportna embalaža | 20 kosov |

Dimenzije

- Dimenzije izdelka $\varnothing 60 \times 135 \text{ mm}$
- Dimenzije tirnega polja $120 \times 52 \times 30 \text{ mm}$



DE **Produktdatenblatt**

L068-20W-3CCT-BK

LED-Schienenleuchte
20 W | 3000 K - 4000 K - 6500 K

- Gestaltung von Wohn- und Geschäftsräumen
- Auswählen der Lichtfarbe mit dem Schalter
- Ermöglicht flexible Positionierung und Ausrichtung des Lichts



Allgemeine Informationen

| | |
|----------------|------------------|
| • Modell | L068-20W-3CCT-BK |
| • LED Diode | COB |
| • Produktfarbe | Schwarz |
| • IP-Schutzart | IP20 |
| • Material | Aluminium + PC |
| • Einbau | Schienenlicht |

Elektrische Spezifikationen

| | |
|---------------------|----------------------------|
| • Leistung | 20 W |
| • Spannung | AC 85 - 265 V / 50 - 60 Hz |
| • Dimmbare Funktion | Nein |

Beleuchtung

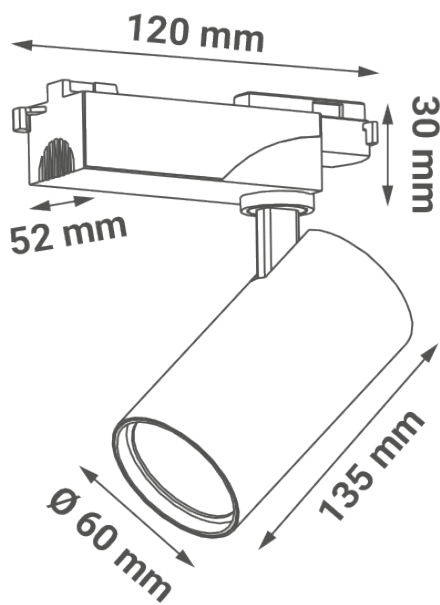
| | |
|-----------------------------|-------------------------------|
| • FLUX | 1800 lm |
| • Lichtausbeute | 90 lm / W |
| • Helle Farbe | Warmweiß - Neutral - Kaltweiß |
| • CCT | 3000 K - 4000 K - 6500 K |
| • Farbwiedergabeindex (CRI) | ≥ 80 |
| • Lichtwinkel | 25° |
| • Lebensdauer | 30 000 Arbeitsstunden |
| • PF | ≥ 0,9 |
| • SCDM | ≤ 7 |

Logistik-Informationen

| | |
|---------------------------------------|-------------------|
| • Nettogewicht | |
| • Bruttogewicht | |
| • Abmessungen der Verpackung | 142 x 65 x 142 mm |
| • Abmessungen der Transportverpackung | 20 Stück |

Abmessungen

- Abmessungen des Produkts $\varnothing 60 \times 135 \text{ mm}$
- Abmessungen des Gleiskastens $120 \times 52 \times 30 \text{ mm}$



EN Product datasheet

L068-20W-3CCT-BK

LED track light

20 W | 3000 K - 4000 K - 6500 K

- Arrangement of residential and commercial spaces
- Selecting Light Color Using Switch
- Enables flexible positioning and directing of light



General informations

| | |
|----------------------|------------------|
| • Model | L068-20W-3CCT-BK |
| • LED chip | COB |
| • Product color | Black |
| • IP protection rate | IP20 |
| • Material | Aluminum + PC |
| • Installation | Track light |

Electrical specifications

| | |
|---------------------|----------------------------|
| • Power consumption | 20 W |
| • Voltage | AC 85 - 265 V / 50 - 60 Hz |
| • Dimmable | No |

Lightning

| | |
|----------------------------|-----------------------------------|
| • FLUX | 1800 lm |
| • Luminous efficiency | 90 lm / W |
| • Color of the light | Warm white - Neutral - Cold white |
| • CCT | 3000 K - 4000 K - 6500 K |
| • Color Render Index (CRI) | ≥ 80 |
| • Beam angle | 25° |
| • Life span | 30 000 working hours |
| • PF | ≥ 0,9 |
| • SCDM | ≤ 7 |

Logistic information

| | |
|----------------------|-------------------|
| • Net weight | |
| • Gross weight | |
| • Package dimensions | 142 x 65 x 142 mm |
| • Transport package | 20 pieces |

Dimensions

- Product dimensions $\varnothing 60 \times 135 \text{ mm}$
- Track box dimensions $120 \times 52 \times 30 \text{ mm}$

